



POSEICO SPA  
Power SEMiconductors Italian Corporation

POSEICO SPA  
Via Pillea 42-44, 16153 Genova - ITALY  
Tel. + 39 010 8599400 - Fax + 39 010 8682006  
Sales Office:  
Tel. + 39 010 8599400 - Fax + 39 010 8681180

## WATER COOLED A.C. SWITCH

# 2-2W5I-AT636

Repetitive voltage up to **1800 V**  
Maximum continuous RMS current **1810 A**  
Surge current **36. kA**

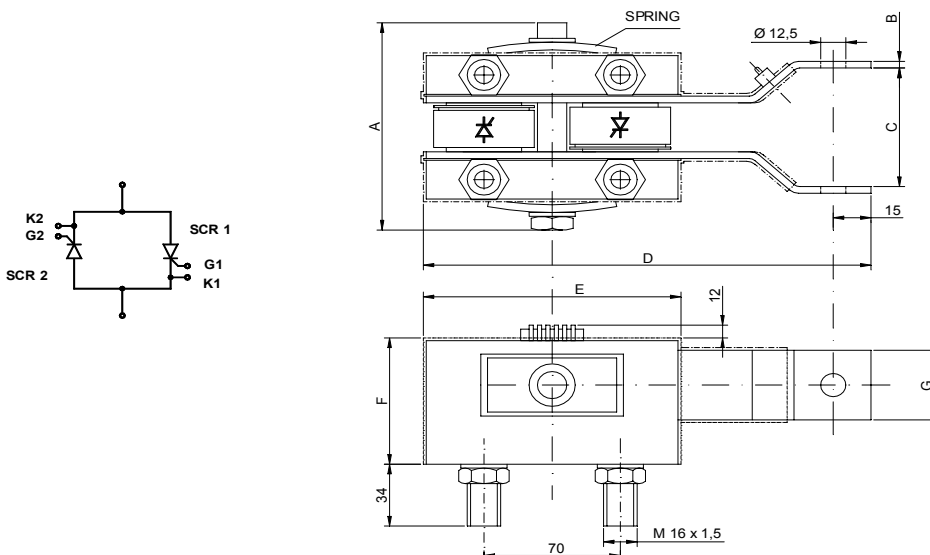
### FINAL SPECIFICATION

giu 02 - ISSUE : 01

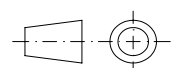
Symbol	Characteristic	Conditions	T <sub>j</sub> [°C]	Value	Unit
<b>BLOCKING</b>					
V <sub>DRM</sub> /V <sub>RRM</sub>	Repetitive peak voltage		125	1800	V
V <sub>DSM</sub> /V <sub>RSM</sub>	Non-repetitive peak voltage		125	1900	V
I <sub>DRM</sub> /I <sub>RRM</sub>	Repetitive peak current		125	70	mA
<b>CONDUCTING</b>					
I <sub>T(RMS)</sub>	Maximum continuous RMS current	50 Hz, Q = 4 l/min, water temperature = 40°C		1810	A
I <sub>TSM</sub>	Surge on-state current	Max peak one cycle sine wave, 10 ms.	125	36	kA
I <sup>2</sup> t	I <sup>2</sup> t	Without reverse voltage reapplied		6480 x1E3	A <sup>2</sup> s
V <sub>TM</sub>	Max peak on-state voltage	ITM = 2560 A	125	1.28	V
V <sub>T(TO)</sub>	Threshold voltage		125	0.82	V
r <sub>T</sub>	On-state slope resistance		125	0.180	mΩ
<b>SWITCHING</b>					
di/dt	Critical rate of rise of on-state current, min.	From 75% V <sub>DRM</sub> up to 1650 A, gate 10 V - 5 Ω	125	200	A/μs
dv/dt	Critical rate of rise of off-state voltage, min.	Linear ramp up to 70% of V <sub>DRM</sub>	125	500	V/μs
<b>GATE</b>					
V <sub>GT</sub>	Gate trigger voltage	V <sub>D</sub> =5 V	25	3.5	V
I <sub>GT</sub>	Gate trigger current	V <sub>D</sub> =5 V	25	300	mA
P <sub>GM</sub>	Max peak gate power	Pulse width 100 μs	25	150	W
<b>MECHANICAL</b>					
R <sub>th(j-w)</sub>	Thermal impedance, DC	Junction to water (double side cooled)		0.12	°C/W
V <sub>ins(RMS)</sub>	Insulation voltage rms	1 min	25	2.5	kV
Press	Max water pressure			10	bar
T <sub>j max</sub>	Max operating junction temperature			125	°C
Weight				8000	g
Thermal switch open 63°C, cloused 50°C. 10 A - 250 V					

OUTLINE W1

DEVICES TYPE: AT636



A	160
B	6
C	70
D	250
E	150
F	84
G	50
SPRING	2+2



ORDERING INFORMATION : 2-2W5I-AT636 S 18

standard specification

VDRM&VRRM/100