

FAST SWITCHING THYRISTOR

ATF743

Repetitive voltage up to

2000 V

Mean on-state current

2595 A

Surge current

36 kA

Turn-off time

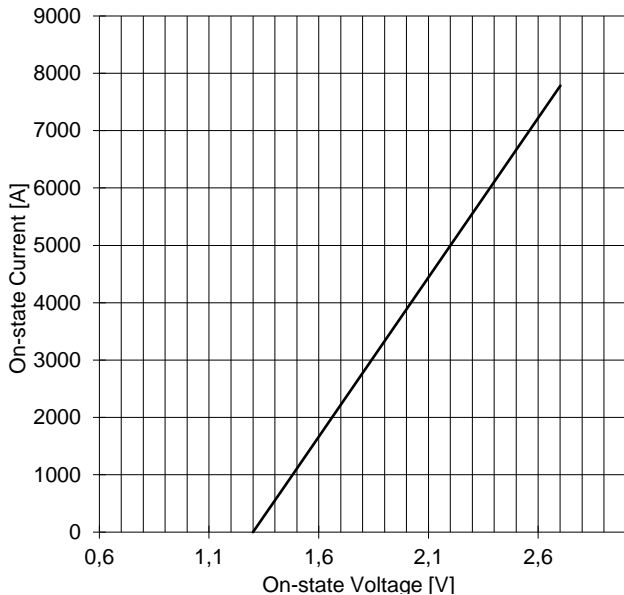
70 μ s

FINAL SPECIFICATION

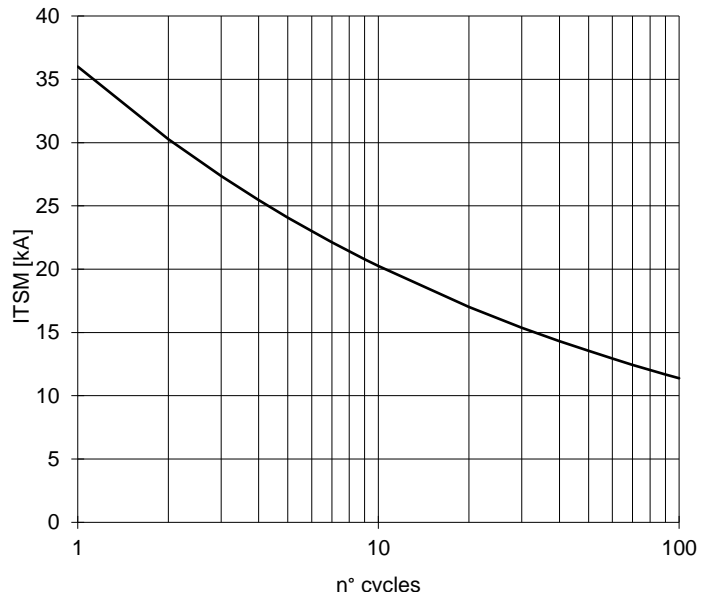
gen 18 - ISSUE : 02

| Symbol | Characteristic | Conditions | T _J [°C] | Value | Unit | | | | | | | | | | | | | | | |
|--------------------------------------------------------------------------------------------------------------------------------------------------------------------------------------------------------------------------------------------------------------------------------------------------------------------------------------------------------------------------------------------------------------------------------------------------------------------------------------------------------------------------------------------------------------------------------------------------------------|-------------------------------------------------|------------------------------------------------------------------------------|------------------------|---------------|------------------|--------------|--------------|--------------|--------------|--------------|--------------|--------------|--------------|--------------|--------------|--------------|--------------|--------------|---------------|---------------|
| BLOCKING | | | | | | | | | | | | | | | | | | | | |
| V _{RRM} | Repetitive peak reverse voltage | | 125 | 2000 | V | | | | | | | | | | | | | | | |
| V _{RSM} | Non-repetitive peak reverse voltage | | 125 | 2100 | V | | | | | | | | | | | | | | | |
| V _{DRM} | Repetitive peak off-state voltage | | 125 | 2000 | V | | | | | | | | | | | | | | | |
| I _{RRM} | Repetitive peak reverse current | V=VRRM | 125 | 300 | mA | | | | | | | | | | | | | | | |
| I _{DRM} | Repetitive peak off-state current | V=VDRM | 125 | 300 | mA | | | | | | | | | | | | | | | |
| CONDUCTING | | | | | | | | | | | | | | | | | | | | |
| I _{T(AV)} | Mean on-state current | 180° sin, 50 Hz, Th=55°C, double side cooled | | 2595 | A | | | | | | | | | | | | | | | |
| I _{T(AV)} | Mean on-state current | 180° sin, 1 kHz, Th=55°C, double side cooled | | 2390 | A | | | | | | | | | | | | | | | |
| I _{TSM} | Surge on-state current, non repetitive | sine wave, 10 ms | 125 | 36 | kA | | | | | | | | | | | | | | | |
| I ² t | I ² t | without reverse voltage | | 6480 x1E3 | A ² s | | | | | | | | | | | | | | | |
| V _T | On-state voltage | On-state current = 4000 A | 125 | 2,02 | V | | | | | | | | | | | | | | | |
| V _{T(TO)} | Threshold voltage | | 125 | 1,30 | V | | | | | | | | | | | | | | | |
| r _T | On-state slope resistance | | 125 | 0,180 | mohm | | | | | | | | | | | | | | | |
| SWITCHING | | | | | | | | | | | | | | | | | | | | |
| di/dt | Critical rate of rise of on-state current, min | From 75% VDRM up to 1200 A, gate 10V 5 ohm | 125 | 500 | A/ μ s | | | | | | | | | | | | | | | |
| dv/dt | Critical rate of rise of off-state voltage, min | Linear ramp up to 75% of VDRM | 125 | 600 | V/ μ s | | | | | | | | | | | | | | | |
| t _d | Gate controlled delay time, typical | VD=200V, gate source 20V, 10 ohm , tr=.5 μ s | 25 | 0,8 | μ s | | | | | | | | | | | | | | | |
| t _q | Circuit commutated turn-off time | di/dt = 60 A/ μ s, I = 2000 A dV/dt = 200 V/ μ s , up to 80% VDRM | 125 | 70 | μ s | | | | | | | | | | | | | | | |
| Q _{rr} | Reverse recovery charge | di/dt = 60 A/ μ s, I = 4000 A | 125 | 800 | μ C | | | | | | | | | | | | | | | |
| I _{rr} | Peak reverse recovery current | VR = 50 V | | 350 | A | | | | | | | | | | | | | | | |
| I _H | Holding current, typical | VD=5V, gate open circuit | 25 | | mA | | | | | | | | | | | | | | | |
| I _L | Latching current, typical | VD=12V, tp=30 μ s | 25 | | mA | | | | | | | | | | | | | | | |
| GATE | | | | | | | | | | | | | | | | | | | | |
| V _{GT} | Gate trigger voltage | VD=5V | 25 | 3,5 | V | | | | | | | | | | | | | | | |
| I _{GT} | Gate trigger current | VD=5V | 25 | 350 | mA | | | | | | | | | | | | | | | |
| V _{GD} | Non-trigger gate voltage, min. | VD=VDRM | 125 | 0,25 | V | | | | | | | | | | | | | | | |
| V _{FGM} | Peak gate voltage (forward) | | 25 | 30 | V | | | | | | | | | | | | | | | |
| I _{FGM} | Peak gate current | | 25 | 10 | A | | | | | | | | | | | | | | | |
| V _{RGM} | Peak gate voltage (reverse) | | 25 | 5 | V | | | | | | | | | | | | | | | |
| P _{GM} | Peak gate power dissipation | Pulse width 100 μ s | 25 | 150 | W | | | | | | | | | | | | | | | |
| P _{G(AV)} | Average gate power dissipation | | 25 | 2 | W | | | | | | | | | | | | | | | |
| MOUNTING | | | | | | | | | | | | | | | | | | | | |
| R _{th(j-h)} | Thermal impedance, DC | Junction to heatsink, double side cooled | | 11 | °C/kW | | | | | | | | | | | | | | | |
| T _j | Operating junction temperature | | | -30 / 125 | °C | | | | | | | | | | | | | | | |
| F | Mounting force | | | 40.0 / 50.0 | kN | | | | | | | | | | | | | | | |
| | Mass | | | 1700 | g | | | | | | | | | | | | | | | |
| ORDERING INFORMATION : ATF743 S 20 U tq code | | | | | | | | | | | | | | | | | | | | |
| standard specification <input type="checkbox"/> VDRM&VRRM/100 | | | | | | | | | | | | | | | | | | | | |
| <table border="1" style="width: 100%; border-collapse: collapse;"> <tr> <td>D 10 μs</td> <td>C 12 μs</td> <td>B 15 μs</td> <td>A 20 μs</td> <td>L 25 μs</td> </tr> <tr> <td>M 30 μs</td> <td>N 35 μs</td> <td>P 40 μs</td> <td>R 45 μs</td> <td>S 50 μs</td> </tr> <tr> <td>T 60 μs</td> <td>U 70 μs</td> <td>W 80 μs</td> <td>X 100μs</td> <td>Y 150μs</td> </tr> </table> | | | | | | D 10 μ s | C 12 μ s | B 15 μ s | A 20 μ s | L 25 μ s | M 30 μ s | N 35 μ s | P 40 μ s | R 45 μ s | S 50 μ s | T 60 μ s | U 70 μ s | W 80 μ s | X 100 μ s | Y 150 μ s |
| D 10 μ s | C 12 μ s | B 15 μ s | A 20 μ s | L 25 μ s | | | | | | | | | | | | | | | | |
| M 30 μ s | N 35 μ s | P 40 μ s | R 45 μ s | S 50 μ s | | | | | | | | | | | | | | | | |
| T 60 μ s | U 70 μ s | W 80 μ s | X 100 μ s | Y 150 μ s | | | | | | | | | | | | | | | | |

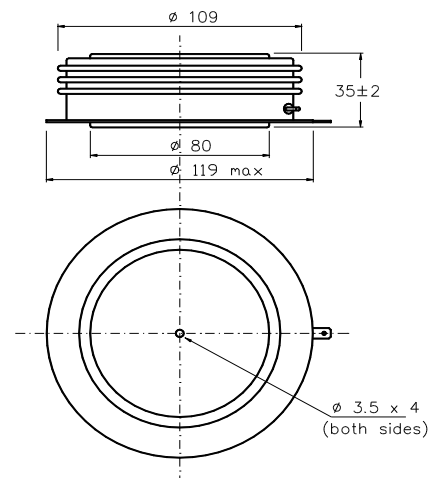
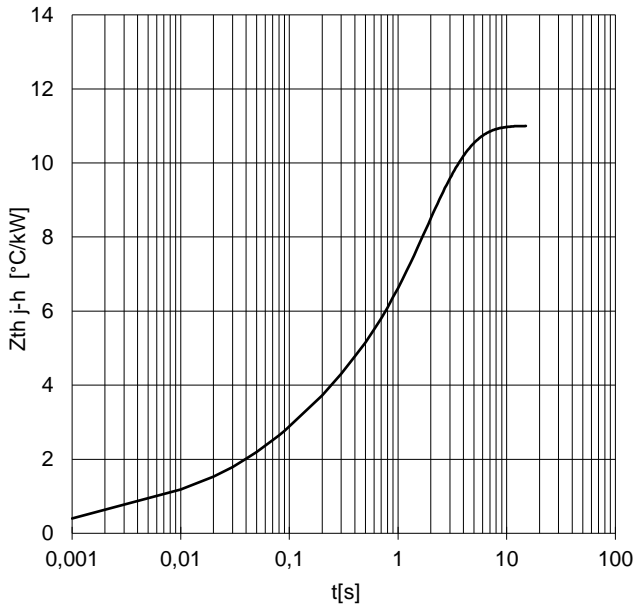
ON-STATE CHARACTERISTIC
T_j = 125 °C



SURGE CHARACTERISTIC
T_j = 125 °C



TRANSIENT THERMAL IMPEDANCE
DOUBLE SIDE COOLED



Dimensions
in mm



Cathode terminal type DIN 46244 - A 4.8 - 0.8

Gate terminal type AMP 60598 - 1

All the characteristics given in this data sheet are guaranteed only with uniform clamping force, cleaned and lubricated heatsink, surfaces with flatness < .03 mm and roughness < 2 μm.
In the interest of product improvement POSEICO SpA reserves the right to change any data given in this data sheet at any time without previous notice.
If not stated otherwise the maximum value of ratings (symbols over shaded background) and characteristics is reported.

Distributed by

